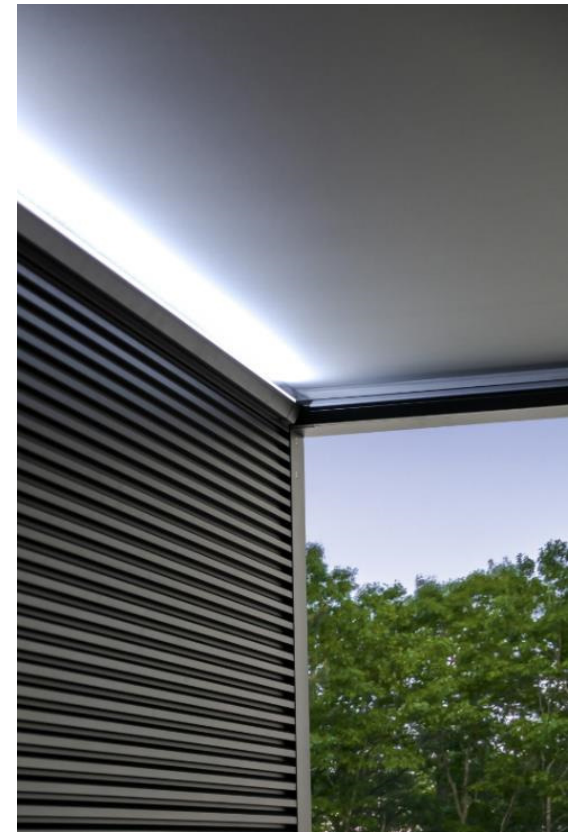
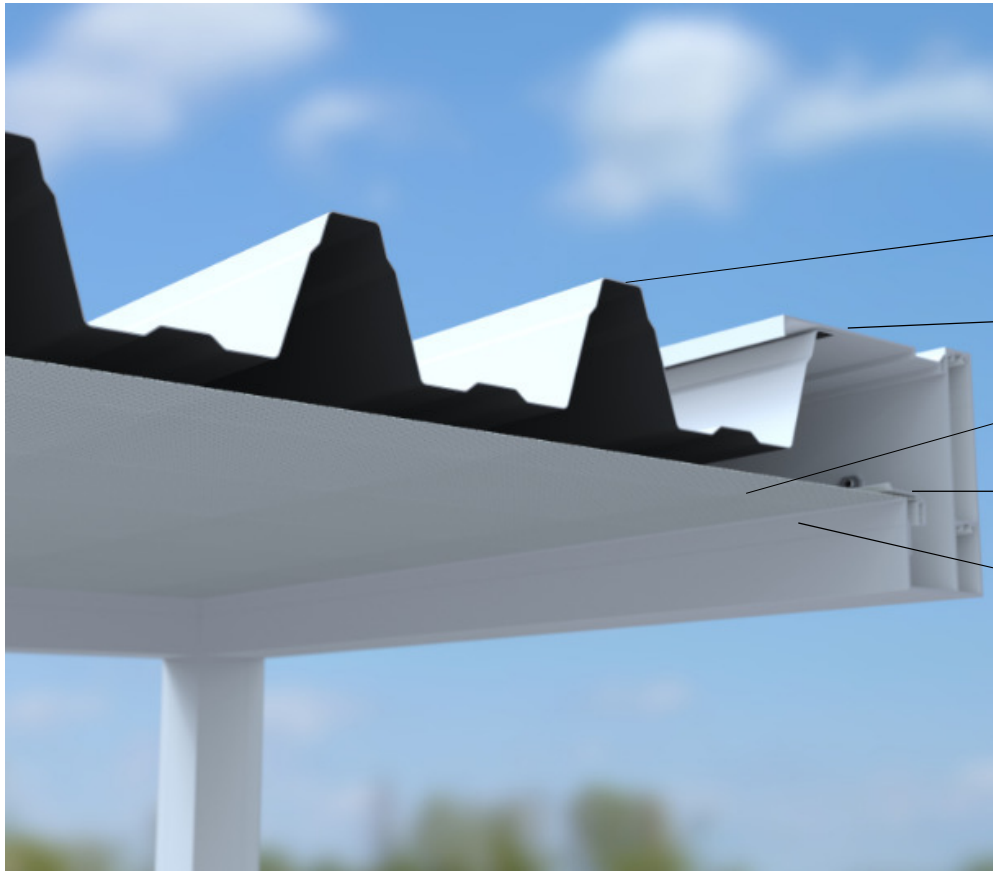


Luxury Canopy



Luxury Canopy - Mounting



→ Steel plate (upper roof)

→ Fixed aluminium plate

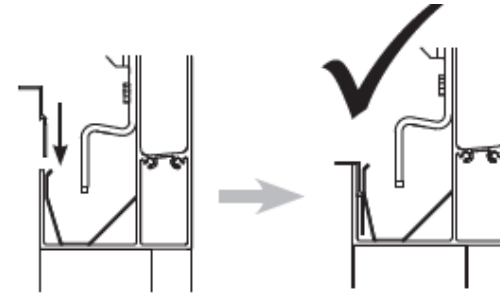
→ Tight fabric (lower roof)

→ Zipper profile

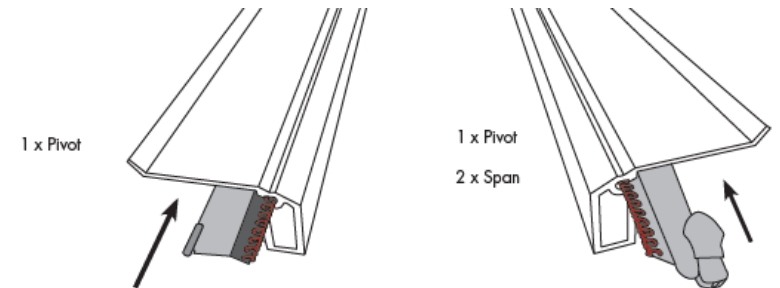
→ Finishing profile of the gutter

Luxury Canopy - Mounting

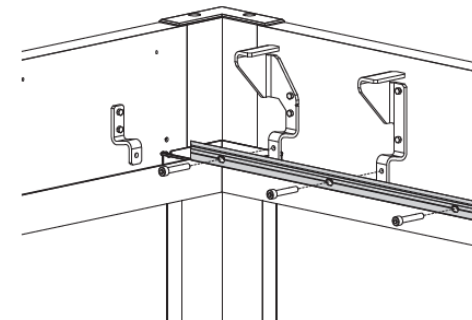
1. Clip the finishing profiles in the gutter



2. Slide the fabric strip with zipper into the canvas profiles

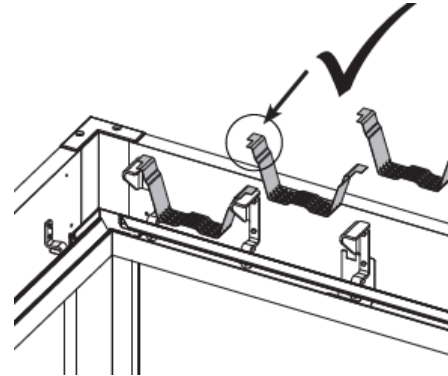


3. Fix the canvas profiles to the structure

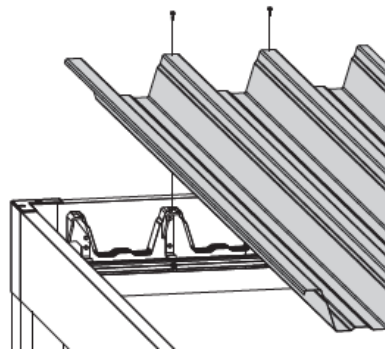


Luxury Canopy - Mounting

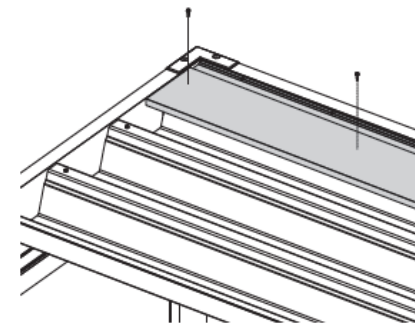
4. Attach the leaf catchers on the lower side



5. Mount the steel plates

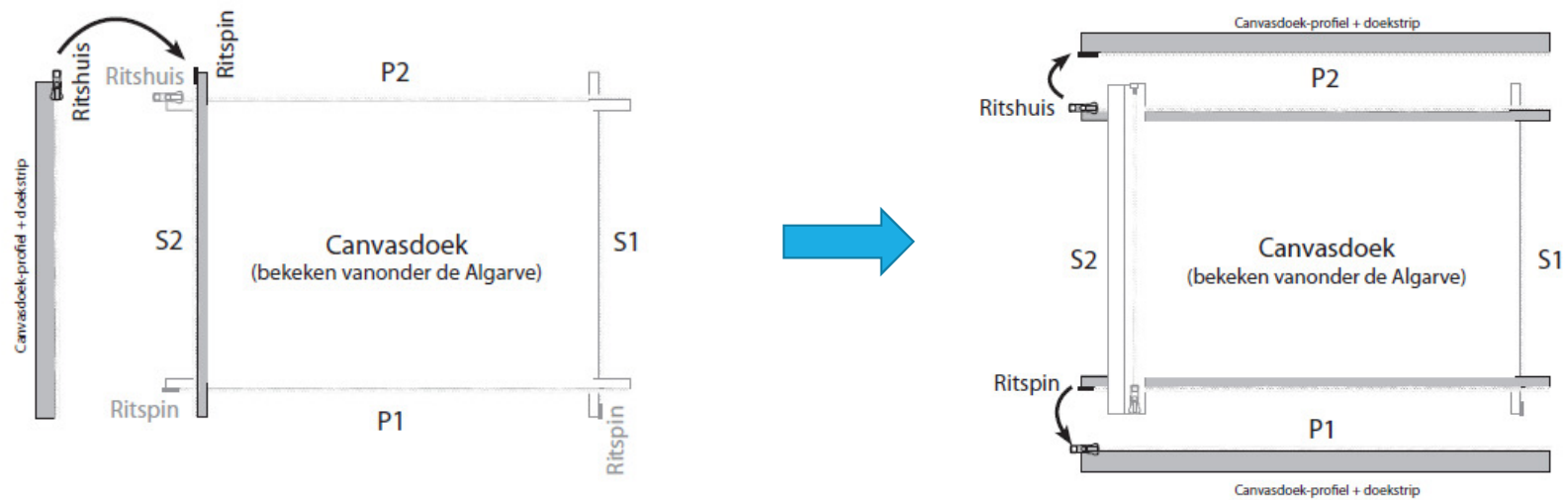


6. Mount end plate to both Span-sides (close opening between steel plate and structure)



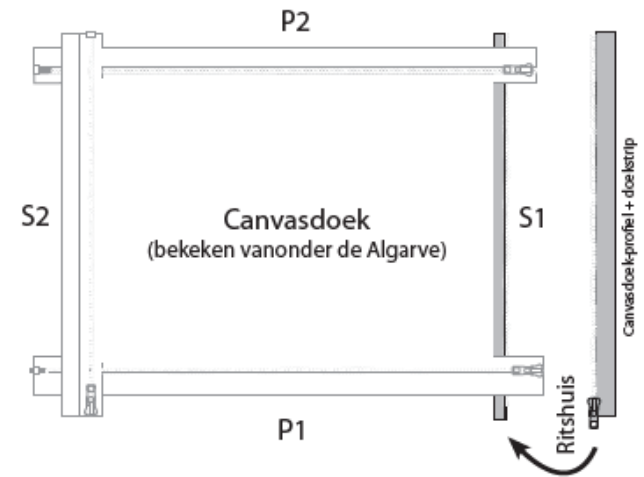
Luxury Canopy - Mounting

7. Fix the canvas fabric on the Span-side with a zipper
8. Fix the canvas fabric on both Pivot-sides with a zipper

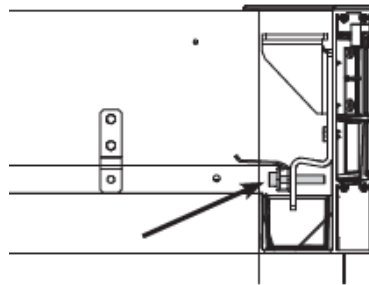


Luxury Canopy - Mounting

9. Fix the canvas fabric on the other Span-side with a zipper



10. Stretch canvas fabric all around



11. Clip up the finishing profiles in the gutter

