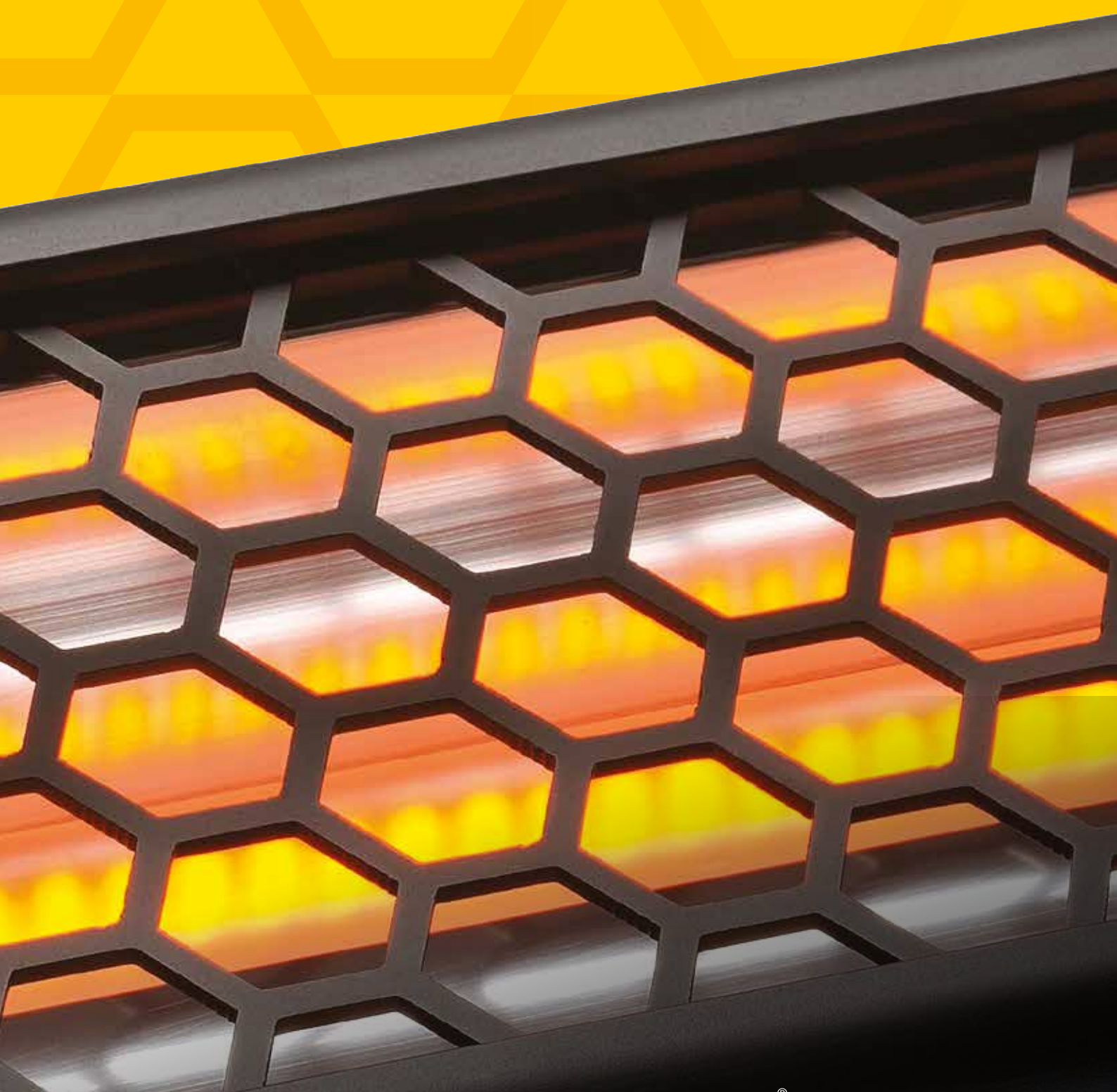


HEATSTRIP<sup>®</sup> 

---

NEW PRODUCTS 2018



HEATSTRIP<sup>®</sup>  
INTENSE



Standard brackets can be used for ceiling or angled wall mounting.



Attractive hexagonal shaped grille.

Instantaneous, carbon-filament element. High heat output.

The new HEATSTRIP Intense wall/ceiling mounted electric infra-red heater is an attractive outdoor heating solution for high output instant heat.

### FEATURES

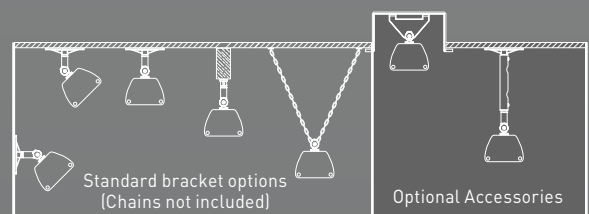
- Easy DIY installation with brackets included
- Ideal for undercover protected and semi- exposed outdoor locations
- High quality construction with a new hexagonal grille
- Carbon filament infra-red heating element provides high performance instant heat
- 2 year residential and 1 year commercial warranty.

Heatstrip INTENSE Heating Areas		
INDOOR PROTECTED	OUTDOOR ENCLOSED	OUTDOOR EXPOSED
14 m <sup>2</sup>	9 m <sup>2</sup>	5 m <sup>2</sup>

MODEL	RUNNING COST*	POWER	CURRENT	DIMENSIONS (WxDxH)mm	NETT WEIGHT	LEAD LENGTH	PLUG
THY 2200	55c / hr	2200 Watts	9.2 amps	1068x120x90	6 kgs	1 m	Yes

\*Running costs based on \$0.25/kWh. Product is suitable for connection to a standard 240V/10amp GPO.

### Mounting Options



MOUNTING HEIGHTS:		PART NO.	EXT. POLES
MINIMUM HEIGHT	2.1M	THHAC - 024	2 x 300mm
RECOMMENDED HEIGHT	2.3M - 2.5M	THHAC - 025	2 x 600mm
MAXIMUM HEIGHT	3.0M	THHAC - 026	2 x 900mm
		THHAC - 027	2 x 1200mm
		FLUSH MOUNT KIT	
		PART NO.	THYAC - 047

### Materials of Construction

Heater: Anodised alloy casing and end caps with powder coated hexagon grille with IPX5 protection from water ingress from all directions.

# HEATSTRIP® INTENSE Portable Electric Heater (THY2200P)



**NEW**



Attractive hexagonal shaped grille.



Robust stand construction, DIY assembly.



Instantaneous, carbon-filament element.

The new HEATSTRIP Intense Portable Electric heater is an attractive portable outdoor heating solution, providing high output, instant heat. Model THY2200P, 2200 Watts

**FEATURES**

- Ideal for indoor and outdoor use. In-built wheels for easy portability and storage
- Heater includes a high performance carbon filament electric infra-red element, providing instant heat
- Components are sub-assembled for easy final DIY installation, with a fully concealed power cable.
- High quality, robust, all-black construction, with new hexagonal heater grille
- 2-year residential and 1-year commercial warranty

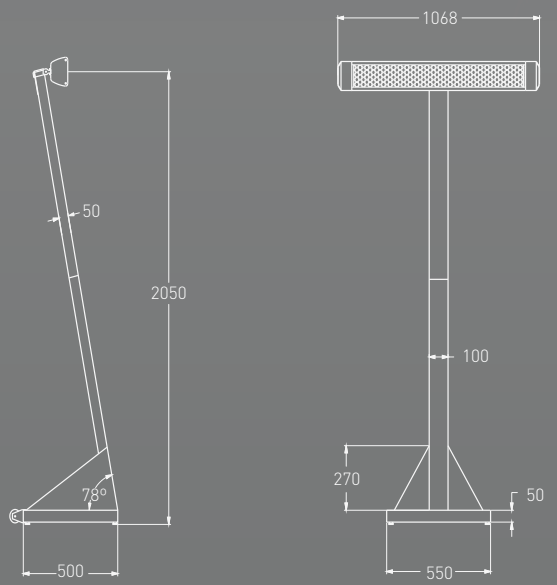
Heatstrip INTENSE Heating Areas		
INDOOR PROTECTED	OUTDOOR ENCLOSED	OUTDOOR EXPOSED
14 m <sup>2</sup>	9 m <sup>2</sup>	5 m <sup>2</sup>

Materials of Construction  
 Heater: Black anodised alloy casing & end caps, powder coated grille.  
 Stand: Black Powder coated mild steel IPX5 Rated

MODEL	RUNNING COST*	POWER	CURRENT	DIMENSIONS (WxDxH)mm	NETT WEIGHT	LEAD LENGTH	PLUG
THY2200P	55c / hr	2200 Watts	9.2 amps	1068x2050x500	20 kgs	3 m	Yes

\*Running costs based on \$0.25/kWh. Product is suitable for connection to a standard 240V/10amp GPO.

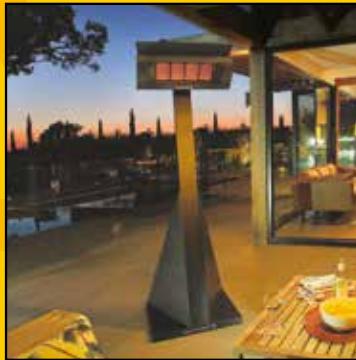
THY 2200P Dimensions



\*All measurements are in (mm)

# HEATSTRIP®

O U T D O O R H E A T E R S



## HEATSTRIP® by Thermofilm Australia Pty Ltd

HEATSTRIP is a range of world class electric and gas heaters designed for both indoor and outdoor applications. Awarded the coveted Australian Business Award for Product Value and Victorian Manufacturer of the Year. HEATSTRIP electric range is proudly designed, engineered and assembled in Australia, and exported to the world.



Thermofilm Australia Pty Ltd  
17 Johnston Court, Dandenong South, Victoria 3175, Australia.  
p: (03) 9562 3455 | f: (03) 9548 3979 | e: sales@thermofilm.com.au  
[www.facebook.com/ThermofilmAustralia](http://www.facebook.com/ThermofilmAustralia)

[heatstrip.com.au](http://heatstrip.com.au)